

# LFD AGRI HUB

Reinforced stone protection  
Relubrication-free  
Quick mounting  
Cost reduction

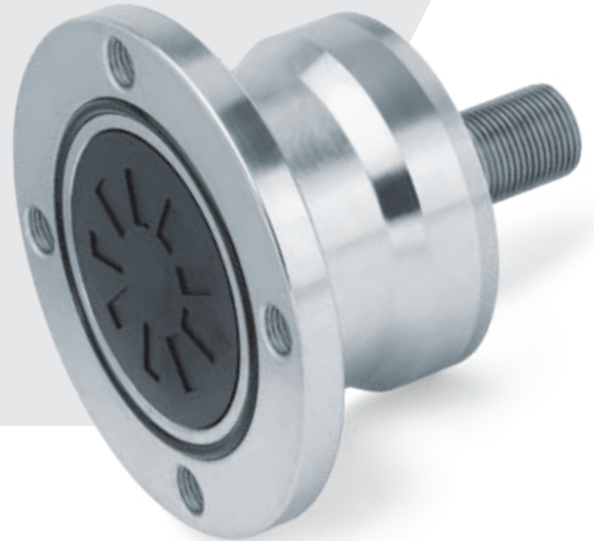


SYSTEM ENGINEERING

# LFD AGRI HUB

## Convincing arguments

- Quick mounting and dismounting
- Protection against stone impact
- Cost reduction
- First-rate seals
- Enhanced reliability
- Test bench support
- Certified, field-tested quality



# LFD AGRI HUB



## Dirt, dust, and humidity stay outside

The LFD AGRI-HUB impresses with a first-rate sealing system. The harrow disk itself serves as a cover for the housing. Together, they protect the bearing unit in an optimal way against dirt, dust, and humidity. LFD offers this bearing unit also with an additional protection against stone impact (S). As a result, work in the field proceeds with total reliability. Maintenance-free, the LFD AGRI-HUBs allow quick mounting and dismounting. This reduces costs even further.

# Endurance testing on test benches: top ratings for quality

Compact disk harrows are regularly tested with regards to their reliability and efficiency. The German Agricultural Society (DLG) tested a renowned disk harrow with a trailed, separate chassis – the performance proved to be excellent. The specially employed LFD angular contact ball bearings are scrutinized in customers' specific endurance tests, accompanied by in-house controls on test benches. Customers certify LFD's superior performance.

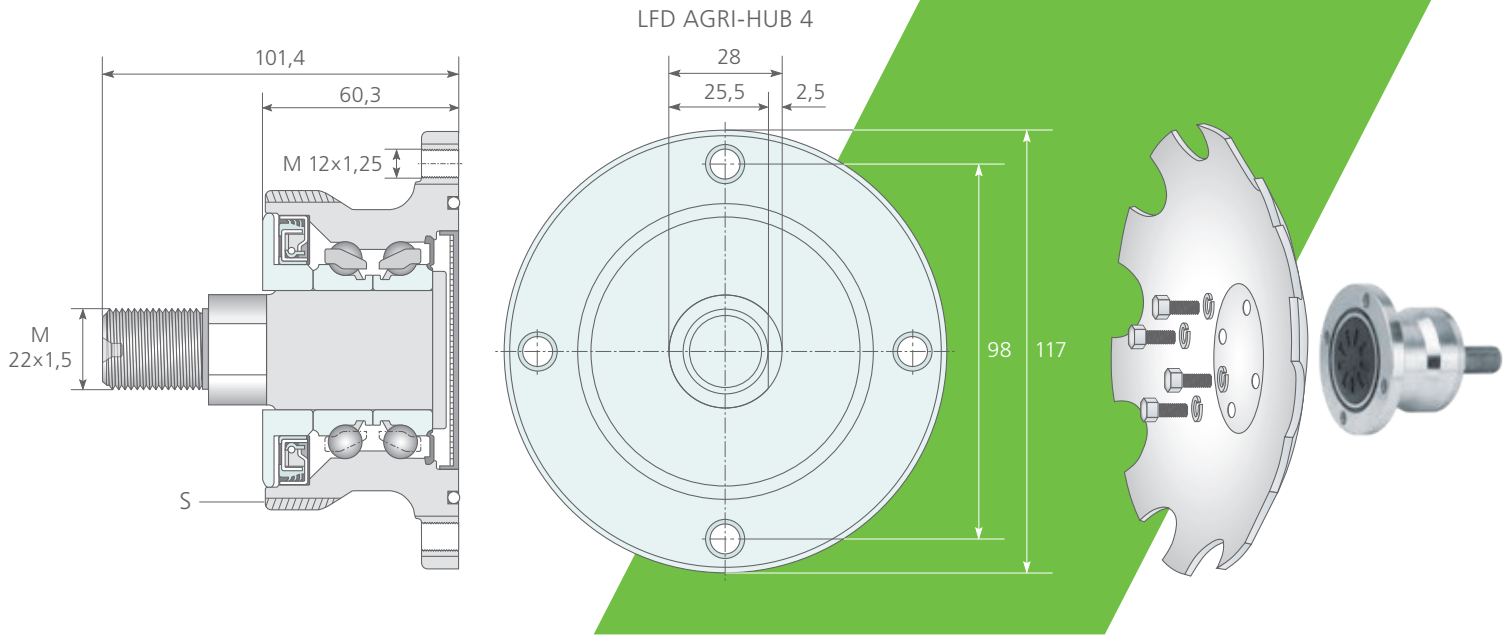


## Reliable technology

The reliability of the LFD AGRI-HUB is based on high quality engineering and solid manufacturing. Every step of the process and the quality control is documented and traceable.

Experience acquired in all industry sectors advances the further development of LFD products. Such technology, which is reliable down to the last detail, is necessary so that at the end of the season, the harvest is rich.

# Technical details



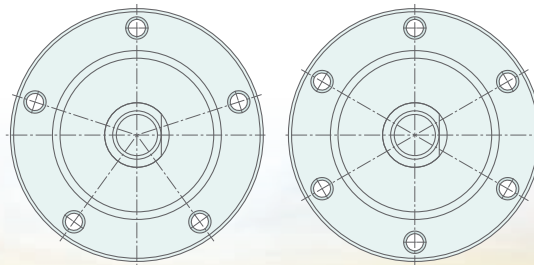
S = Protection against stone impact

The LFD AGRI-HUB is synonymous with easy mounting, well-engineered technology, and high load carrying capacity. These are the features that the agricultural sector is calling for.

LFD AGRI-HUB 5

LFD AGRI-HUB 6

Easy mounting



SYSTEM ENGINEERING



SYSTEM ENGINEERING

**LFD GROUP HEADQUARTERS - Germany**

Giselherstraße 9 - D 44319 DORTMUND

Phone + 49 231 977 250 - Fax + 49 231 977 252 50

Email [info@LFD.eu](mailto:info@LFD.eu) - Internet [www.LFD.eu](http://www.LFD.eu)